

# KOBAN



## FEATURES

- ✓ Simple and integrative structure design, easy in installation.
- ✓ Housing with high heating conductive aluminum material, excellent heating radiation performance.
- ✓ High luminous efficacy, small lumen depreciation, long lifespan

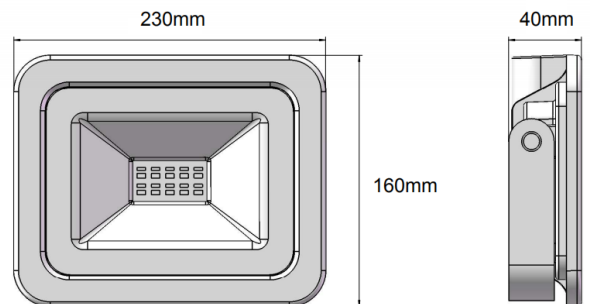
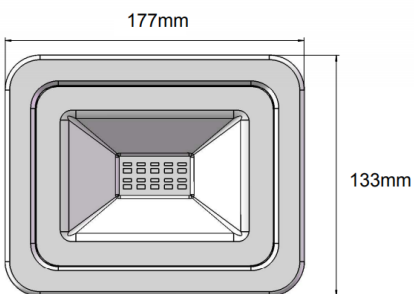
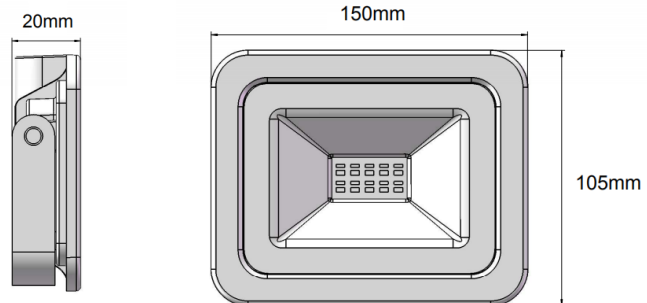
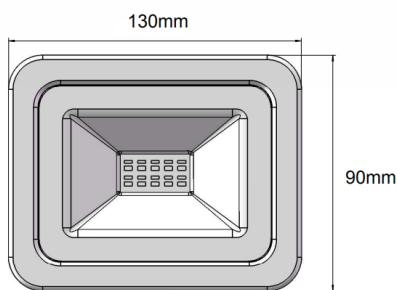


## TECHNICAL SPECIFICATIONS

	KLED-FLD-10W 7679012	KLED-FLD-20W 7679013	KLED-FLD-30W 7679014	KLED-FLD-50W 7679008
LED light source	SMD2835	SMD2835	SMD2835	SMD2835
Input voltage	AC220-240V	AC220-240V	AC220-240V	AC220-240V
Lm/W	>80	>80	>80	>80
Lumen	800±10%	1600±10%	2400±10%	4000±10%
Power	10W	20W	30W	50W
CRI	Ra>80	Ra>80	Ra>80	Ra>80
Color temp.	6500K	6500K	6500K	6500K
Lifetime	50000hr	50000hr	50000hr	50000hr
Total harmonic distortion	<10%	<10%	<10%	<10%
Work humidity	20-80%RH	20-80%RH	20-80%RH	20-80%RH
IP Rating	IP65	IP65	IP65	IP65

	KLED-FLD-10W	KLED-FLD-20W	KLED-FLD-30W	KLED-FLD-50W
	Codes	Codes	Codes	Codes
Power factor	>0.5	>0.5	>0.9	>0.9
Material	die casting aluminum	die casting aluminum	die casting aluminum	die casting aluminum
Beam angle	120°	120°	120°	120°
Size(mm)	130*90*20MM	150*105*25MM	177*133*25MM	230*160*40MM

### DIMENSIONS



# KOBAN



## FEATURES

- ✓ Simple and integrative structure design, easy in installation.
- ✓ Housing with high heating conductive aluminum material, excellent heating radiation performance.
- ✓ High luminous efficacy, small lumen depreciation, long lifespan



## TECHNICAL SPECIFICATIONS

	KLED-FLD-100W 7679009	KLED-FLD-150W 7679011	KLED-FLD-200W 7679010
LED light source	SMD2835	SMD2835	SMD2835
Input voltage	AC220-240V	AC220-240V	AC220-240V
Lm/W	>80	>80	>80
Lumen	8000±10%	12000±10%	16000±10%
Power	100W	150W	200W
CRI	Ra>80	Ra>80	Ra>80
Color temp.	6500K	6500K	6500K
Lifetime	50000hr	50000hr	50000hr
Total harmonic distortion	<10%	<10%	<10%
Work humidity	20-80%RH	20-80%RH	20-80%RH
IP Rating	IP65	IP65	IP65

	KLED-FLD-100W	KLED-FLD-150W	KLED-FLD-200W
	Codes	Codes	Codes
Power factor	>0.9	>0.9	>0.9
Material	die casting aluminum	die casting aluminum	die casting aluminum
Beam angle	120°	120°	120°
Size(mm)	290*187*45MM	340*235*40MM	360*270*50MM

### DIMENSIONS

